



Film Capacitors – Power Factor Correction

Current limitation reactor

Series/Type: BD-050/BD-100/BD-200
Ordering code: B44066T....E400/E480
Date: December 2010
Version: 1

© EPCOS AG 2015. Reproduction, publication and dissemination of this publication, enclosures hereto and the information contained therein without EPCOS' prior express consent is prohibited.

EPCOS AG is a TDK Group Company.

Characteristics

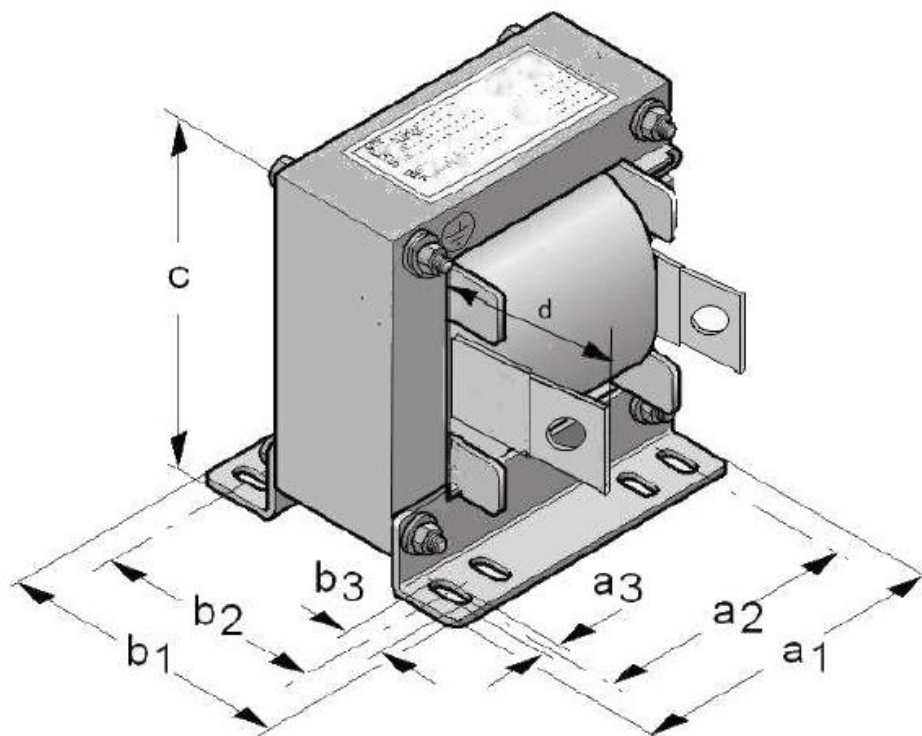
- Single phase current limitation reactor for thyristor modules TSM-series in conventional dynamic PFC-systems without reactor
- Used for limitation of the pace of current increase di/dt in the thyristors to the maximum permissible value
- Protection of thyristor modules series TSM-LC10, TSM-LC25, TSM-LC50 and TSM-LC100 (two units per step required).



Characteristics			
400/440 V-type	BD-050*	BD-100	BD-200**
Nominal voltage	400/440 V	400/440 V	400/440 V
Nominal current	50 A	85 A	170 A
Linearity	70 A	120 A	240 A
Inductivity	0.1 mH	0.1 mH	0.1 mH
Frequency	50/60 Hz	50/60 Hz	50/60 Hz
Losses at I_{eff} nominal current	21 W	26 W	55 W
Connection	Cu bus bar	Cu bus bar	Cu bus bar
Mode of operation	Continuous	Continuous	Continuous
Maximum ambient operating temperature	80 °C	80 °C	80 °C
Ordering code	B44066T0050E400	B44066T0100E400	B44066T0200E400
480 V-type	BD-050/480*	BD-100/480*	BD-200/480**
Nominal voltage	480 V	480 V	480 V
Nominal current	50 A	85 A	170 A
Linearity	70 A	120 A	240 A
Inductivity	0.1 mH	0.1 mH	0.1 mH
Frequency	50/60 Hz	50/60 Hz	50/60 Hz
Losses at I_{eff} nominal current	23 W	28 W	55 W
Mode of operation	Continuous	Continuous	Continuous
Maximum ambient operating temperature	80 °C	80 °C	80 °C
Ordering code	B44066T0050E480	B44066T0100E480	B44066T0200E480

*production only after ordering

** only suitable for TSM-LC100

Dimensional drawing


Dimensions in mm	B44066T0050E400	B44066T0050E480	B44066T0100E400 B44066T0100E480	B44066T0200E400 B44066T0200E480
a1	56	65	73	104
a2	44	50	56	84
a3	3,6	4,8	4,8	5,8
b1	61	58	74	114
b2	50	44,5	60	98
b3	7	9	9	11
c	70	82	88	125
d (ca.)	35	35	40	55
Cu bus bar	15/D7	15/D7	20x2/D9	20x3/D9
Weight (kg)	ca. 1.5	ca. 1.5	ca. 2	ca. 6

Cautions and warnings

- The BD-xxx is designed exclusively for use in dynamic LV-PFC-systems without detuning reactors.
- **Do not use the current limitation reactors for TSM-LC200 and TSM-HV200!**
- **BD-200 is suitable for TSM-LC100 only.**
- The maximum permissible nominal voltage (see technical data) must not be exceeded!
- The equipment may be operated only by suitably trained personnel.
- A minimum distance of 50 mm towards the adjoining component set has to be kept.
- Mounting onto mounting plate.
- Mounting position random.

Note

For detailed information about PFC capacitors and cautions, refer to the latest version of EPCOS PFC Product Profile.

Important: Please note that the „General Safety Recommendations for Power Capacitors“ by ZVEI (German Electrical and Electronic Manufacturers´ Association (ZVEI) have to be observed in addition to the caution guidelines stated in the data sheet (Internet: www.epcos.com/pfc).

Important notes

The following applies to all products named in this publication:

1. Some parts of this publication contain **statements about the suitability of our products for certain areas of application**. These statements are based on our knowledge of typical requirements that are often placed on our products in the areas of application concerned. We nevertheless expressly point out **that such statements cannot be regarded as binding statements about the suitability of our products for a particular customer application**. As a rule, EPCOS is either unfamiliar with individual customer applications or less familiar with them than the customers themselves. For these reasons, it is always ultimately incumbent on the customer to check and decide whether an EPCOS product with the properties described in the product specification is suitable for use in a particular customer application.
2. We also point out that **in individual cases, a malfunction of electronic components or failure before the end of their usual service life cannot be completely ruled out in the current state of the art, even if they are operated as specified**. In customer applications requiring a very high level of operational safety and especially in customer applications in which the malfunction or failure of an electronic component could endanger human life or health (e.g. in accident prevention or life-saving systems), it must therefore be ensured by means of suitable design of the customer application or other action taken by the customer (e.g. installation of protective circuitry or redundancy) that no injury or damage is sustained by third parties in the event of malfunction or failure of an electronic component.
3. **The warnings, cautions and product-specific notes must be observed.**
4. In order to satisfy certain technical requirements, **some of the products described in this publication may contain substances subject to restrictions in certain jurisdictions (e.g. because they are classed as hazardous)**. Useful information on this will be found in our Material Data Sheets on the Internet (www.epcos.com/material). Should you have any more detailed questions, please contact our sales offices.
5. We constantly strive to improve our products. Consequently, **the products described in this publication may change from time to time**. The same is true of the corresponding product specifications. Please check therefore to what extent product descriptions and specifications contained in this publication are still applicable before or when you place an order. We also **reserve the right to discontinue production and delivery of products**. Consequently, we cannot guarantee that all products named in this publication will always be available. The aforementioned does not apply in the case of individual agreements deviating from the foregoing for customer-specific products.
6. Unless otherwise agreed in individual contracts, **all orders are subject to the current version of the "General Terms of Delivery for Products and Services in the Electrical Industry" published by the German Electrical and Electronics Industry Association (ZVEI)**.
7. The trade names EPCOS, BAOKE, Alu-X, CeraDiode, CSMP, CSSP, CTVS, DeltaCap, DigiSiMic, DSSP, FormFit, MiniBlue, MiniCell, MKD, MKK, MLSC, MotorCap, PCC, PhaseCap, PhaseCube, PhaseMod, PhiCap, SIFERRIT, SIFI, SIKOREL, SilverCap, SIMDAD, SiMic, SIMID, SineFormer, SIOV, SIP5D, SIP5K, ThermoFuse, WindCap are **trademarks registered or pending** in Europe and in other countries. Further information will be found on the Internet at www.epcos.com/trademarks.