

## Hall Effect Sensor

### TSH282/253/251/190/188/181

#### Feature:

- Wide Operating Voltage Range
- Temperature Compensation Functions
- Low Power Consumption
- ESD Protection

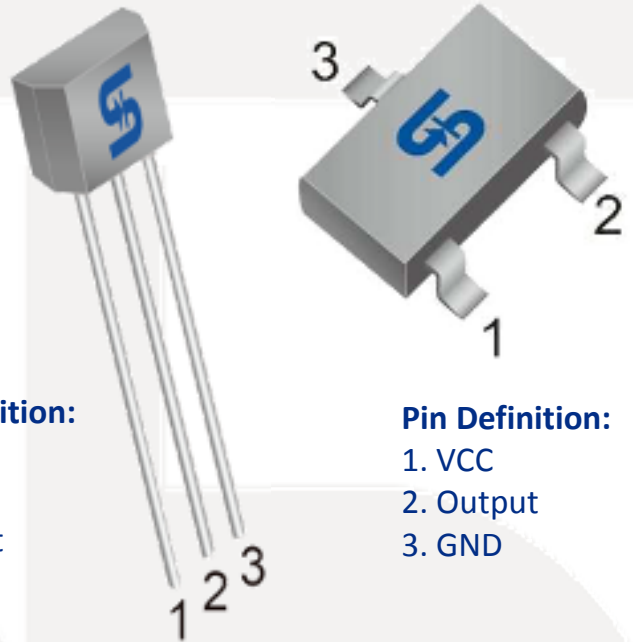
#### Application:

- Solid state switch
- Revolution Counter
- Speed, Position, Rotation Sensor
- Water Meter, Floating Meter
- Home Appliance
- Handheld Devices

#### Electrical Characteristics:

P/N	Type	Process	Vcc	Output Current	Supply Current	Bop (Gauss)	Brp (Gauss)	Package
TSH253CT B0G	Omni-Polar	CMOS	1.8~6V	1mA	2.6mA (Typ)	30 / 60	-60 / -30	TO-92S
TSH253CX RFG	Omni-Polar	CMOS	1.8~6V	1mA	2.6mA (Typ)	30 / 60	-60 / -30	SOT-23
TSH181CT B0G	Latch	Bipolar	3.5~20V	25mA	4mA (Typ)	5 / 90	-90 / -5	TO-92S
TSH190CT B0G	Latch	Bipolar	4~30V	25mA	3mA (Typ)	10 / 110	-110 / -10	TO-92S
TSH190CX RFG	Latch	Bipolar	4~30V	25mA	3mA (Typ)	10 / 110	-110 / -10	SOT-23
TSH282CT B0G	Unipolar	CMOS	3~24V	50mA	2.5mA (Typ)	45 / 100	25 / 70	TO-92S
TSH282CX RFG	Unipolar	CMOS	3~24V	50mA	2.5mA (Typ)	45 / 100	25 / 70	SOT-23
TSH188CT B0G	Latch	Bipolar	2.5~24V	50mA	5mA (Max)	5 / 25	-25 / -5	TO-92S
TSH188CX RFG	Latch	Bipolar	2.5~24V	50mA	5mA (Max)	5 / 25	-25 / -5	SOT-23
TSH251CT B0G	Omni-Polar	CMOS	1.65~3.5V	1mA	5uA (Typ)	-55 / 55	10 / -10	TO-92S
TSH251CX RFG	Omni-Polar	CMOS	1.65~3.5V	1mA	5uA (Typ)	-55 / 55	10 / -10	TSOT-23

Note: 1G (Gauss) = 0.1mT (millitesta)



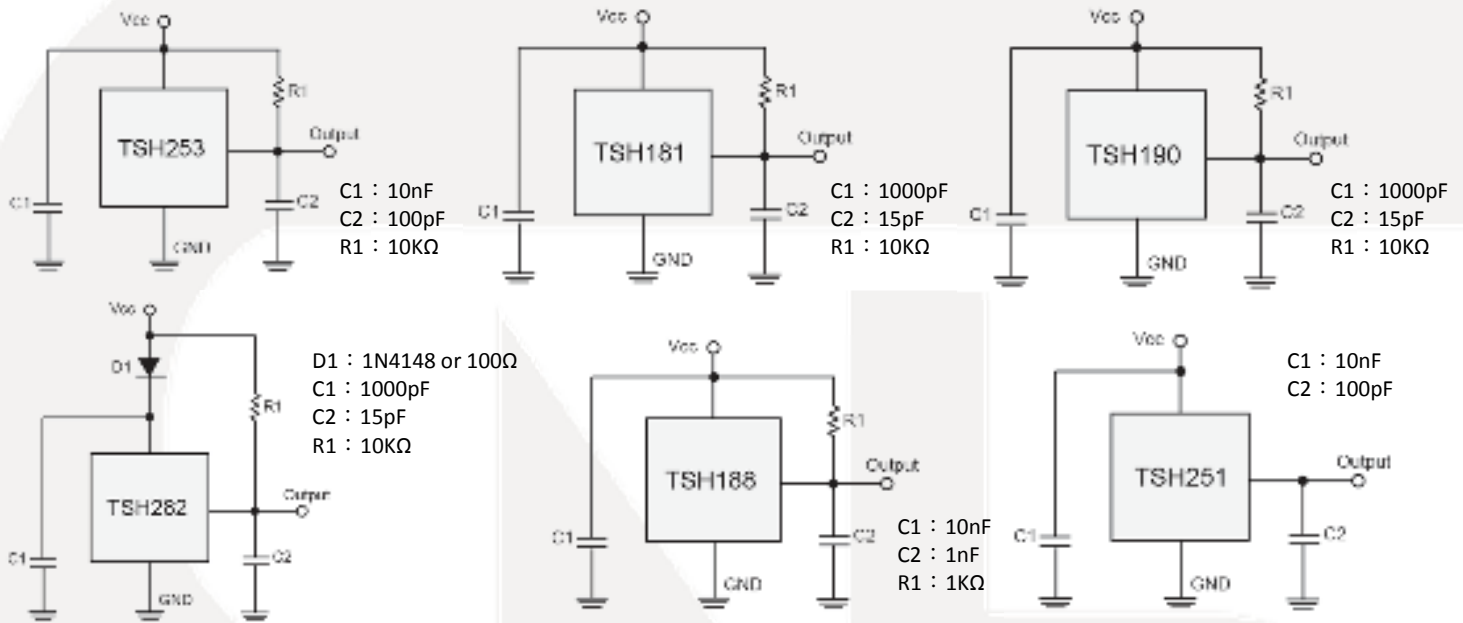
#### Pin Definition:

1. VCC
2. GND
3. Output

#### Pin Definition:

1. VCC
2. Output
3. GND

## Typical Application Circuit:



## Ordering Information:

P/N	Package	SPQ	MPQ	MOQ	Carton	CTN size (cm)	CTN Weight (kg)
TSH253CT B0G	TO-92S	1K/Bulk bag	10 Bags/Box	10k	8 Boxes/CTN	51 x 37 x 22.5	10.5
TSH253CX RFG	SOT-23	3K/7" REEL	10 Reels/Box	30k	2 Boxes/CTN	41 x 22 x 18	3.2
TSH181CT B0G	TO-92S	1K/Bulk bag	10 Bags/Box	10k	8 Boxes/CTN	51 x 37 x 22.5	10.5
TSH190CT B0G	TO-92S	1K/Bulk bag	10 Bags/Box	10k	8 Boxes/CTN	51 x 37 x 22.5	10.5
TSH190CX RFG	SOT-23	3K/7" REEL	10 Reels/Box	30k	2 Boxes/CTN	41 x 22 x 18	3.2
TSH282CT B0G	TO-92S	1K/Bulk bag	10 Bags/Box	10k	8 Boxes/CTN	51 x 37 x 22.5	10.5
TSH282CX RFG	SOT-23	3K/7" REEL	10 Reels/Box	30k	2 Boxes/CTN	41 x 22 x 18	3.2
TSH188CT B0G	TO-92S	1K/Bulk bag	10 Bags/Box	10k	8 Boxes/CTN	51 x 37 x 22.5	10.5
TSH188CX RFG	SOT-23	3K/7" REEL	10 Reels/Box	30k	2 Boxes/CTN	41 x 22 x 18	3.2
TSH251CT B0G	TO-92S	1K/Bulk bag	10 Bags/Box	10k	8 Boxes/CTN	51 x 37 x 22.5	10.5
TSH251CX RFG	TSOT-23	3K/7" REEL	10 Reels/Box	30k	2 Boxes/CTN	41 x 22 x 18	3.2

For Further Detail Information: [www.ts.com.tw](http://www.ts.com.tw)